

FURUNO

MU-DISPLAY series

MARINE DISPLAY

Model MU-150HD/190HD/190/190V/231/270W



www.furuno.com



Need a bright idea? How about using FURUNO marine grade monitors in your helm!

The FURUNO MU-Display series is a multi-purpose marine LCD that features the unmatched quality and reliability that you have learned to depend on.

The MU-Display series employs bright color TFT LCDs with a special AR (anti-reflective) glass filter to cut down on annoying glare. With its bright colors, excellent contrast and wide viewing angles, the monitor is perfect for any tropical sunlight or low light conditions. Furthermore, the LCDs and the glass are bonded to ensure fog free operation on open fly-bridge installations*.

These units feature a wide range of interface options that include: RGB analog, DVI (Digital Video Interface) and composite video inputs.

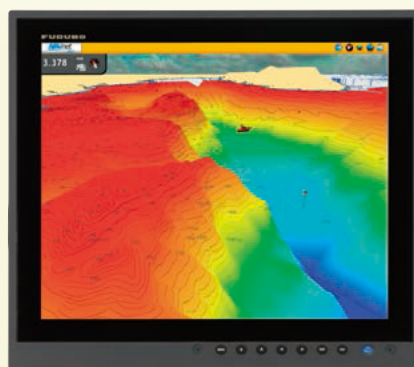
These displays may be used as either the main or remote display for a variety of marine equipment such as BlackBox Radar, Sounder, Sonar and NavNet series. They can also be used for displaying images from security cameras, DVD player, computers, etc.

*for MU-150HD and MU-190HD

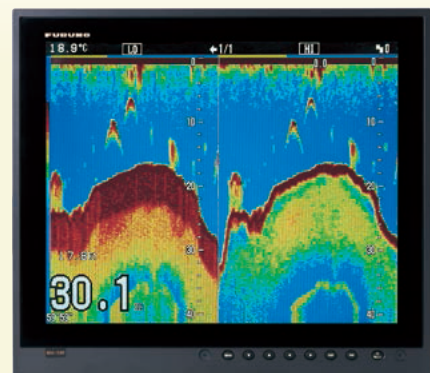
MU-DISPLAY series



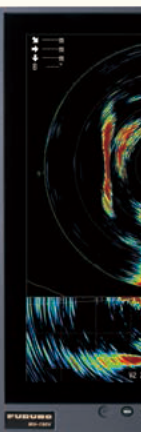
Model MU-150HD



Model MU-190HD



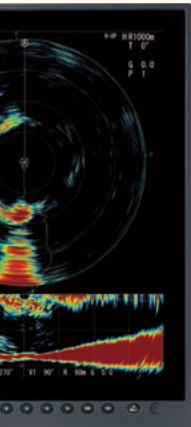
Model MU-190



Model M



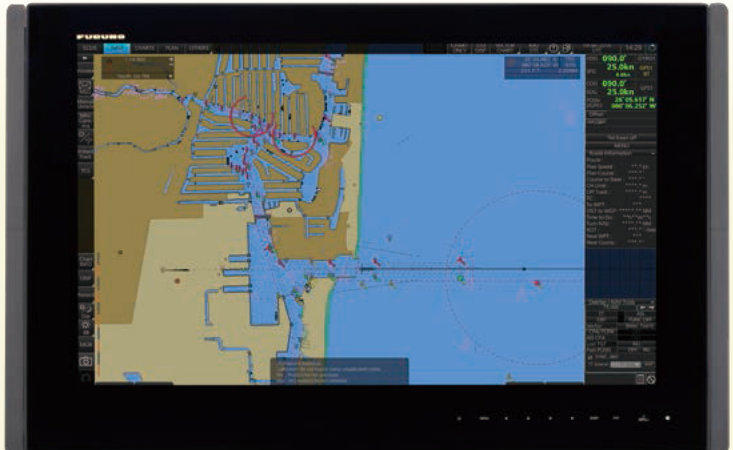
	MU-150HD	MU-190HD	MU-190	MU-190V	MU-231	MU-270W
Crystal clear marine grade monitors for use as main or remote display	✓	✓	✓	✓	✓	✓
Bonded LCD provides clear view in any weather condition and avoids concerns such as dew condensation	✓	✓	—	—	—	—
Available in table top or flush mount (Mounting bracket is optional)	✓	✓	✓	✓	✓	✓
Automatic dimmer sensor adjusts the display brightness as lighting conditions change	✓	✓	✓	✓	✓	✓
Customizable input names for easy on-the-fly identification and switching between onboard Radar, Sonar, Sounder, Camera, etc.	✓	✓	✓	✓	✓	✓
Any of the composite inputs are PIP (Picture-In-Picture) capable, with adjustable size and screen location	✓	✓	✓	✓	✓	✓
Power ON/OFF automatically by the DVI signal	✓	✓	✓	✓	✓	✓
1,000 cd/m ² brightness provides superior visibility even in direct sunlight	✓	✓	—	—	—	—
Built-in scaler allows accepting up to various resolutions	VGA to SXGA	VGA to SXGA	VGA to SXGA	VGA to SXGA	VGA to UXGA	SVGA to WUXGA
Selectable inputs including RGB analog, DVI (Digital Video Interface) and Composite	✓	✓	✓	✓	✓	✓



U-190V



Model MU-231



Model MU-270W

Features

15"

XGA (1024 x 768)



Model MU-150HD



1000 cd/m²

19"

SXGA (1280 x 1024)

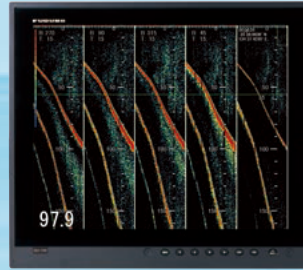


Model MU-190HD



1000 cd/m²

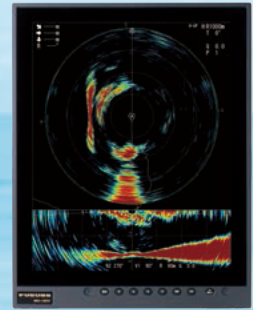
SXGA (1280 x 1024)



Model MU-190



SXGA (1280 x 1024)



Model MU-190V

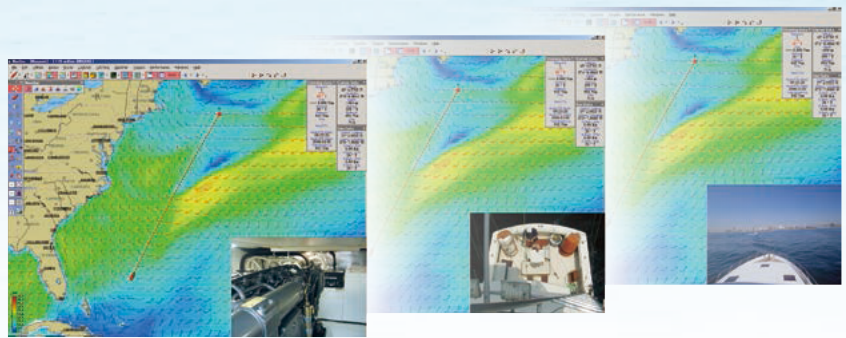


Picture In Picture (PIP)

: MU-150HD/190HD/190/190V/231/270W

Composite video (NTSC/PAL) input is available for displaying video images from an onboard TV/DVD player.

For MU-150HD/190HD with more than two Composite Video Inputs, the images in the PIP window automatically switch alternately.



Low power consumption

: MU-150HD/190HD/190/190V/231/270W

Utilizing the latest LED backlight, the MU-Display series delivers sharp, high quality images with bright colors and all at very low power consumption.

Waterproof : MU-150HD/190HD

The MU-150HD/190HD has a waterproof display and is built to stand up to tough marine conditions when mounted at fly bridge console.

The display can be rinsed in water for easy, worry-free cleaning.



Slim, lightweight and compact

: MU-150HD/190HD/190/190V/231/270W

The MU-Display series is slim in depth, light weight and is so compact that it fits right into virtually any console.

It's space-saving design makes optimum use of your dashboard.



photo: MU-190HD/150HD

23.1"

UXGA (1600 x 1200)



Model MU-231



27"

WUXGA (1920 x 1200)



Model MU-270W



Flush mounting

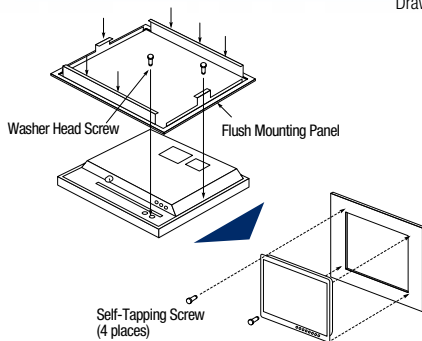
For space-saving installation and additional security, flush mount installation is available for all the MU-Display series. The display unit can be fixed from either front or rear with the flush mount kit for MU-150HD/190HD/190/190V/231/270W.



Flush mounting, fixed from front

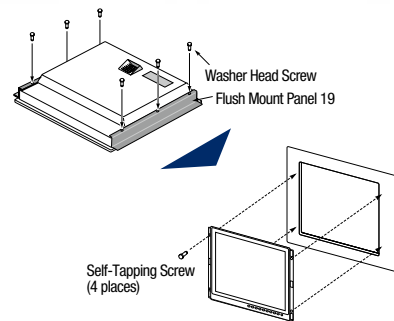
MU-150HD/190HD

Drawing: MU-150HD

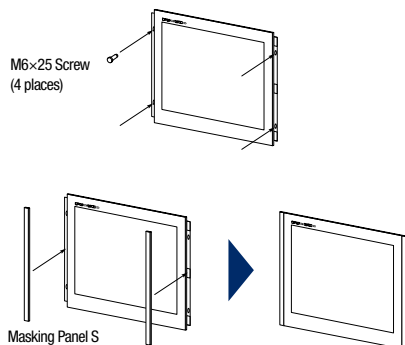


MU-190/231

Drawing: MU-190



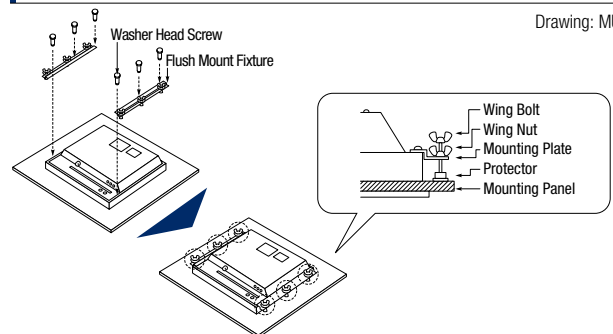
MU-270W



Flush mounting, fixed from rear*

MU-150HD/190HD/190/190V/231/270W

Drawing: MU-190



* Optional for MU-190/231/270W, standard for MU-150HD/190HD/190V

SPECIFICATIONS OF MU-DISPLAY series

DISPLAY CHARACTERISTICS	MU-150HD	MU-190HD
Screen Size	15 inches, landscape	19 inches, landscape
Resolution	XGA (1024 x 768)	SXGA (1280 x 1024)
Contrast Ratio (typical)	600 : 1	900 : 1
Viewing Angle (typical)	left/right and up/down: 80° or more	
Max Brightness (typical)	1000 cd/m ²	

INTERFACE

Analog RGB (D-SUB/15 pins)	1 port	1 port
DVI (DVI-D)	2 ports	2 ports
Composite Video (NTSC/PAL)	3 ports	3 ports
Built-in Scaler	VGA to SXGA	VGA to SXGA

POWER SUPPLY

	12-24 VDC 4.5 - 2.2 A	12-24 VDC 8.4 - 3.9 A
--	--------------------------	--------------------------

ENVIRONMENT (IEC 60945 test method)

Temperature	-15°C to +55°C	
Waterproofing	IP56 (CFR46, front panel), IP22 (rear panel)	

EQUIPMENT LIST

Standard

1. Display Unit
2. Flush Mount Kit (for fixing at rear)
3. Installation Materials, Accessories and Spare Parts

Option

1. Cable Assembly
2. Bracket Assembly (w/knobs)
3. Hood Assembly
4. Flush Mount Kit (for fixing at front)

DISPLAY CHARACTERISTICS

	MU-190V	MU-190	MU-231	MU-270W
Screen Size	19 inches, portrait	19 inches, landscape	23.1 inches, landscape	27 inches, landscape
Resolution	SXGA (1280 x 1024)	SXGA (1280 x 1024)	UXGA (1600 x 1200)	WUXGA (1920 x 1200)
Contrast Ratio (typical)	900 : 1	900 : 1	600 : 1	1500 : 1
Viewing Angle (typical)	left/right and up/down: 80° or more			left/right and up/down: 85° or more
Max Brightness (typical)	500 cd/m ²	450 cd/m ²	400 cd/m ²	400 cd/m ²

INTERFACE

Analog RGB (D-SUB/15 pins)	1 port	1 port	1 port	1 port
DVI (DVI-D)	2 ports	2 ports	2 ports	2 ports
Composite Video (NTSC/PAL)	1 port	1 port	1 port	1 port
Built-in Scaler	VGA to SXGA	VGA to SXGA	VGA to UXGA	SVGA to WUXGA

POWER SUPPLY

	12-24 VDC 5.0 - 2.5 A	100-230 VAC 0.7 - 0.4A	100-230 VAC 1.0 - 0.6 A	100-230 VAC 0.7 - 0.4 A
--	--------------------------	---------------------------	----------------------------	----------------------------

ENVIRONMENT (IEC 60945 test method)

Temperature	-15°C to +55°C			
Waterproofing	IP22			

EQUIPMENT LIST

Standard

1. Display Unit
2. Flush Mount Kit (for fixing at rear)
3. Installation Materials, Accessories and Spare Parts

Option

1. Cable Assembly
2. Bracket Assembly (w/knobs)
3. Hood Assembly

Standard

1. Display Unit
2. Flush Mount Kit (for fixing at front)
3. Installation Materials, Accessories and Spare Parts

Option

1. Cable Assembly
2. Bracket Assembly (w/knobs for MU-190)
3. Hood Assembly
4. Dust Cover
5. Flush Mount Kit (for fixing at rear)

Standard

1. Display Unit
2. Installation Materials, Accessories and Spare Parts

Option

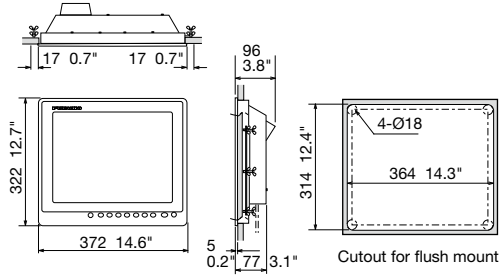
1. Cable Assembly
2. Bracket Assembly
3. Hood Assembly
4. Dust Cover
5. Flush mount Kit (for fixing at rear)

*MU-190/190V/231/270W cannot be installed outside.

DIMENSIONS AND WEIGHT

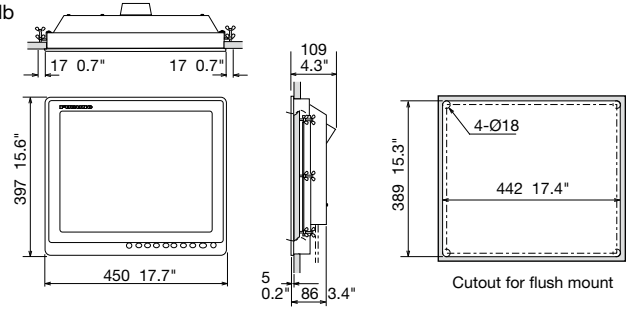
MU-150HD Flush Mount

5.4 kg 11.9 lb



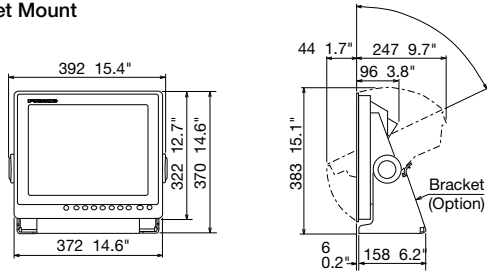
MU-190HD Flush Mount

8.2 kg 18.1 lb



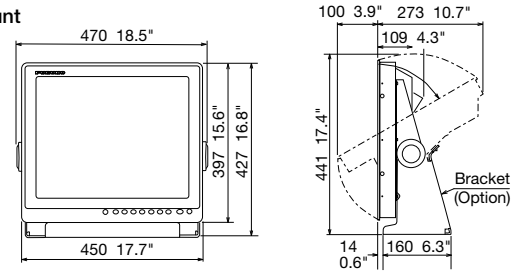
MU-150HD Bracket Mount

7.4 kg 16.3 lb



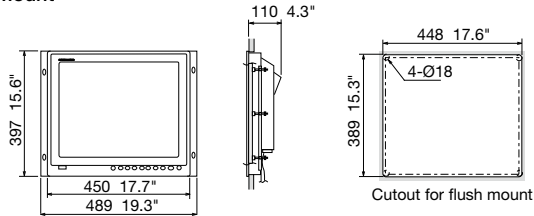
MU-190HD Bracket Mount

11 kg 24.3 lb



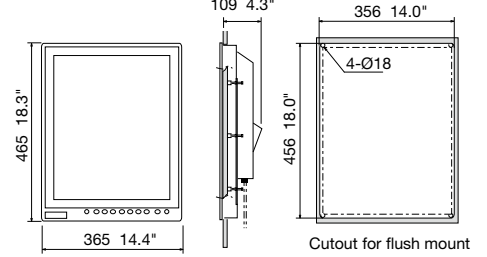
MU-190 Flush Mount

8.8 kg 19.4 lb



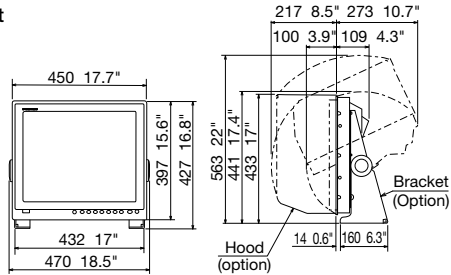
MU-190V Flush Mount

8.0 kg 17.6 lb



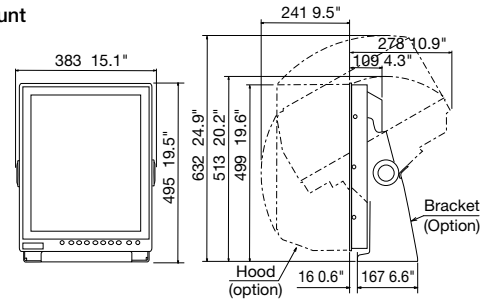
MU-190 Bracket Mount

11 kg 24.3 lb



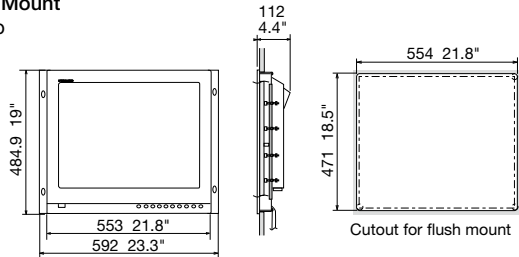
MU-190V Bracket Mount

11.0 kg 24.3 lb



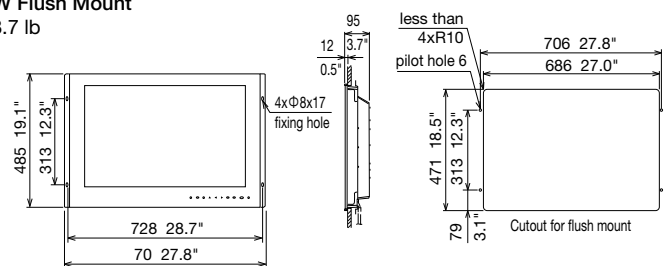
MU-231 Flush Mount

12.8 kg 28.2 lb



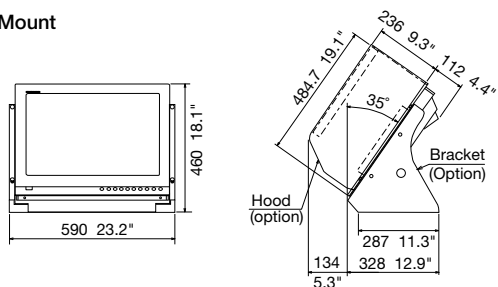
MU-270W Flush Mount

13 kg 28.7 lb



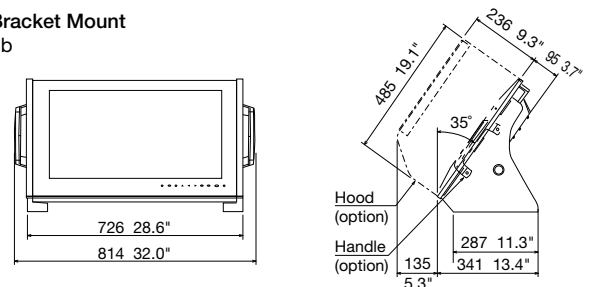
MU-231 Bracket Mount

18.9 kg 41.7 lb



MU-270W Bracket Mount

21 kg 46.3 lb





www.furuno.com

All brand and product names are registered trademarks, trademarks
or service marks of their respective holders.
SPECIFICATIONS SUBJECT TO CHANGE WITHOUT NOTICE

FURUNO ELECTRIC CO., LTD.

Nishinomiya, Hyogo, Japan
www.furuno.com

FURUNO U.S.A., INC.

Camas, Washington, U.S.A.
www.furunousa.com

FURUNO (UK) LIMITED

Havant, Hampshire, U.K.
www.furuno.co.uk

FURUNO NORGE A/S

Ålesund, Norway
www.furuno.no

FURUNO DANMARK A/S

Hvidovre, Denmark
www.furuno.dk

FURUNO SVERIGE AB

Västra Frölunda, Sweden
www.furuno.se

FURUNO FINLAND OY

Espoo, Finland
www.furuno.fi

FURUNO POLSKA Sp. z o.o.

Gdynia, Poland
www.furuno.pl

FURUNO DEUTSCHLAND GmbH

Rellingen, Germany
www.furuno.de

FURUNO FRANCE S.A.S.

Bordeaux-Mérignac, France
www.furuno.fr

FURUNO ESPAÑA S.A.

Madrid, Spain
www.furuno.es

FURUNO ITALIA S.r.l.

Genoa, Italy

FURUNO HELLAS S.A.

Glyfada, Greece
www.furuno.gr

FURUNO (CYPRUS) LTD

Limassol, Cyprus
www.furuno.com.cy

FURUNO EURUS LLC

St. Petersburg, Russian Federation
www.furuno.ru

FURUNO SHANGHAI CO., LTD.

Shanghai, China
www.furuno.com/cn

FURUNO KOREA CO., LTD.

Busan, Korea

FURUNO SINGAPORE PTE LTD

Singapore
www.furuno.sg