

INTEGRATED HEADING SENSOR

Model

PG-700

Fluxgate magnetic sensor with enhanced stability by a solid-state rate gyroscope



- ▶ A fluxgate magnetic sensor in conjunction with a solid-state angular rate heading
- ▶ Offers a high level of accuracy and stability : $\pm 1.0^\circ$
- ▶ Compact unit with L-bracket allows flexible installation
- ▶ Automatic magnetic field distortion correction* *Correction should be done first by manual.
- ▶ Provides precision heading data to Furuno CAN bus devices



What is CAN bus?

CAN bus is a communication protocol that shares multiple data and signals through a single backbone cable. You can simply connect PG-700 onto the backbone cable to expand your network onboard. With CAN bus, IDs are assigned to all the devices, and status of each sensor in the network can be monitored.

SPECIFICATIONS OF PG-700

1. Accuracy

$\pm 1.0^\circ$ (horizontal)*
 *When magnetic field distortion corrected.
 NOTE: Sensor accuracy depends on installation and other factors

2. Heading resolution

0.1°

3. Follow-up

45°/s rate-of turn

4. Interface

Port: CAN bus: 1
 Output: Vessel Heading (127250),
 Magnetic Compass Status* (065284),
 ISO Acknowledgement (059392),
 ISO Request (059904),
 Address Claim (060928),
 NMEA Acknowledge (126208),
 PGN List (126464),
 Product Information (126996),
 Self Test Report* (130816),
 Heading & Attitude Sensor Control Status* (130818),
 Unit Division Code* (130822),
 Browser Control Status* (130823),

Magnetic Compass Control Status* (065283),
 Rate Gyro Data* (065285),
 GMM Message* (126720, #4=4)
 ISO Request (059904),
 Address Claim (060928),
 Self Test Group Function* (061184),
 Memory Clear & Reset Group Function* (126720),
 NMEA-Request & Command Group Function (126208)

Input:
 (*:Furuno PGN)

ENVIRONMENT

Temperature: -15° to +55°C
 Waterproofing: IP55
 POWER SUPPLY EQUIPMENT LIST
 12 VDC (9 - 16 VDC)

Standard

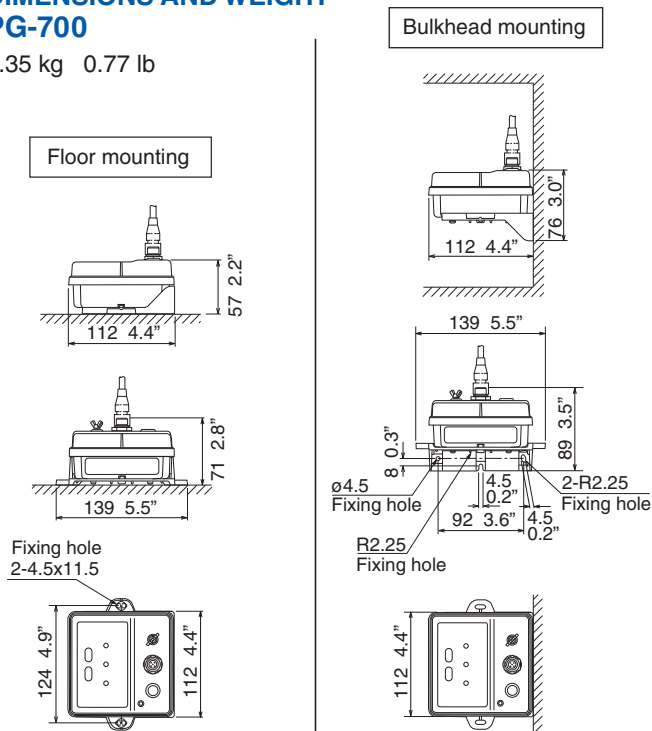
1. Heading Sensor PG-700
2. Installation Materials Includes interface 6m cable: M12-05BM+05BF-060 (19S1162)

Option

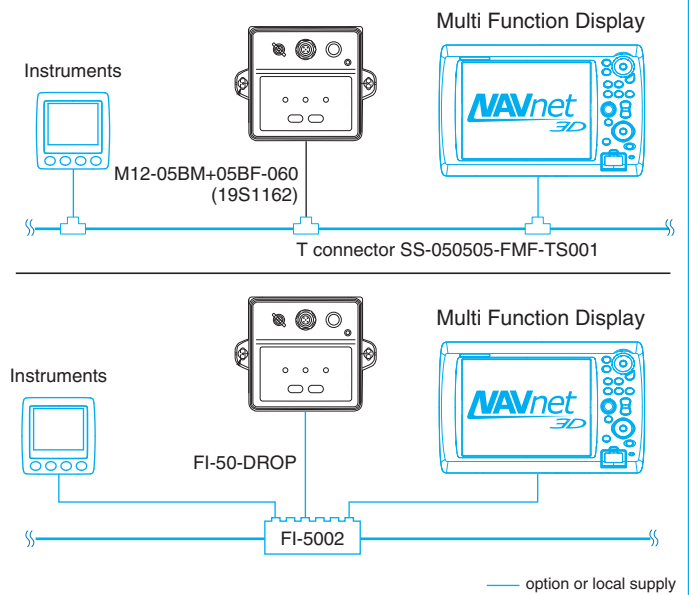
1. Junction Box FI-5002
2. Interface Cable FI-50-DROP

DIMENSIONS AND WEIGHT PG-700

0.35 kg 0.77 lb



INTERCONNECTION DIAGRAM



All brand and product names are registered trademarks, trademarks or service marks of their respective holders.
 SPECIFICATIONS SUBJECT TO CHANGE WITHOUT NOTICE

FURUNO ELECTRIC CO., LTD.
 Japan | www.furuno.com
FURUNO U.S.A., INC.
 U.S.A. | www.furunousa.com
FURUNO PANAMA S.A.
 Republic of Panama | www.furuno.com.pa
FURUNO (UK) LIMITED
 U.K. | www.furuno.co.uk
FURUNO NORGE A/S
 Norway | www.furuno.no

FURUNO DANMARK A/S
 Denmark | www.furuno.dk
FURUNO SVERIGE AB
 Sweden | www.furuno.se
FURUNO FINLAND OY
 Finland | www.furuno.fi
FURUNO POLSKA Sp. z o.o.
 Poland | www.furuno.pl
FURUNO DEUTSCHLAND GmbH
 Germany | www.furuno.de

FURUNO FRANCE S.A.S.
 France | www.furuno.fr
FURUNO ESPAÑA S.A.
 Spain | www.furuno.es
FURUNO ITALIA S.R.L.
 Italy | www.furuno.it
FURUNO HELLAS S.A.
 Greece | www.furuno.gr
FURUNO (CYPRUS) LTD
 Cyprus | www.furuno.com.cy

FURUNO SHANGHAI CO., LTD.
 China | www.furuno.com/cn
FURUNO CHINA CO., LTD.
 Hong Kong | www.furuno.com/cn
FURUNO KOREA CO., LTD
 Korea
FURUNO SINGAPORE
 Singapore | www.furuno.sg
PT FURUNO ELECTRIC INDONESIA
 Indonesia | www.furuno.id

FURUNO ELECTRIC (MALAYSIA) S.N.D. BHD.
 Malaysia | www.furuno.my

A-2209LB
 Catalogue No. CA000001722

