

**V SAT**  
*Ku-band Satellite Antenna*

Model:  
**FV-110**

## High-performance Ku-band Antenna

- ▶ Supports a variety of modem types\* (iDirect, Comtech, etc.)
- ▶ Easy to install with just one cable between Above Deck Equipment (ADE) and Below Deck Unit (BDU)
- ▶ Operate two antenna systems on a single modem for increased redundancy
- ▶ Easy maintenance access through hatch in the antenna unit
- ▶ Global support and services
- ▶ Antenna reflector size: 1.03 m
- ▶ Antenna weight: 126.5 kg

### \*Supported modems

- iDirect iNFINITI (Serial/OpenAMIP)
- iDirect Evolution (Serial/OpenAMIP)
- Comtech CDM-570L/625L
- Comtech CDM-570L with ROSS (ROAM)
- Gilat SkyEdge II
- STM SatLink 2900, etc.

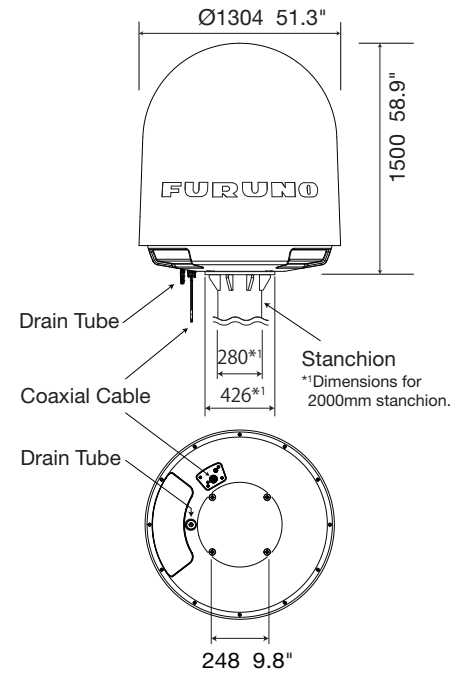
For all supported models, please visit the link below.  
<http://www.furuno.com/en/merchant/vsat/FV-110/>

Product Name		KU-BAND ANTENNA
<b>ADE</b>		
Antenna Diameter		Dish size: 1.03 m
Antenna Gain	TX	41.60 dBi (14.25 GHz)
	RX	40.60 dBi (11.70 GHz)
Polarization		Co-pol and Cross-pol
Transmitting Frequency		13.75-14.50 GHz (extended)
Receiving Frequency		10.70-12.75 GHz
RF Package	TX	8 W BUC
	RX	2 multi-band LNBs
GPS Receiver		Incorporated
Ship's Motion	Roll	±30°/6 s
	Pitch	±15°/4 s
	Yaw	±10°/10 s
	Rate of Turn	±15°/1 s, 15°/1 s <sup>2</sup>
<b>Environment</b>		
Temperature	Operational: -25°C to +55°C	
	Storage: -40°C to +85°C	
Relative Humidity	100%, condensing	
Waterproofing	IPX6	
EMC	IEC 60945 Ed. 4	
Shock	IEC 60721-4-6 class 6M3	
Vibration	IEC 60945 Ed. 4	
Wind Speed	56 m/s Max.	

<b>ACU</b>		
Interface	Antenna Interface (50Ω, RFCable) x 1, Modem Interface (75Ω, Tx/Rx) x 1, Ethernet x 4, Heading x 1, RS442 x 1, RS232 x 1	
Power Supply	90 – 264 VAC, 370 W peak, 175 W typical	
<b>Environment</b>		
Temperature	Operational: -25°C to +55°C	
	Storage: -40°C to +85°C	
Relative Humidity	95 % at 40°C (non-condensing)	
EMC	IEC 60945 Ed. 4	
Vibration	IEC 60945 Ed. 4	

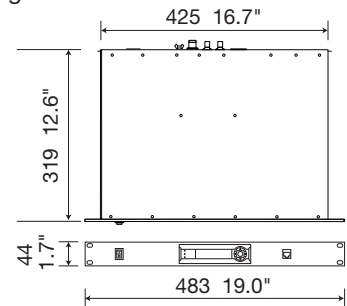
### ADE

126.5 kg 279 lb

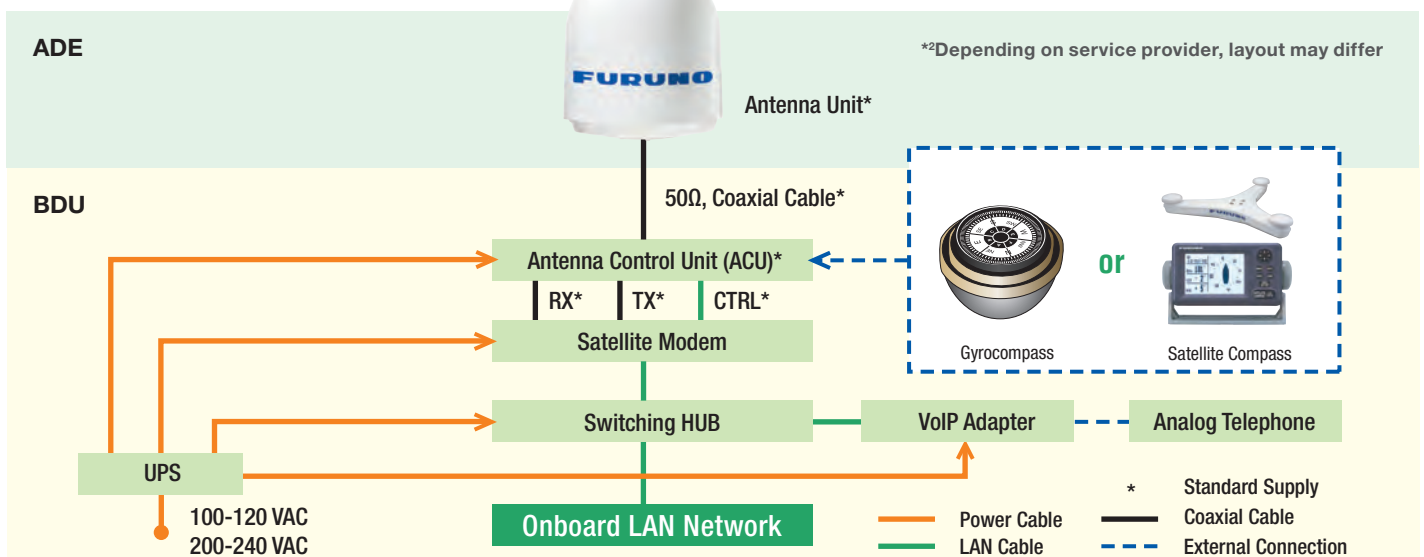


### ACU

4.2 kg 9.3 lb



## INTERCONNECTION DIAGRAM\*2



All brand and product names are registered trademarks, trademarks or service marks of their respective holders.  
 SPECIFICATIONS SUBJECT TO CHANGE WITHOUT NOTICE

**FURUNO ELECTRIC CO., LTD.**  
 Japan | www.furuno.com  
**FURUNO U.S.A., INC.**  
 U.S.A. | www.furunousa.com  
**FURUNO PANAMA S.A.**  
 Republic of Panama | www.furuno.com.pa  
**FURUNO (UK) LIMITED**  
 U.K. | www.furuno.co.uk  
**FURUNO NORGE A/S**  
 Norway | www.furuno.no

**FURUNO DANMARK A/S**  
 Denmark | www.furuno.dk  
**FURUNO SVERIGE AB**  
 Sweden | www.furuno.se  
**FURUNO FINLAND OY**  
 Finland | www.furuno.fi  
**FURUNO POLSKA Sp. z o.o.**  
 Poland | www.furuno.pl  
**FURUNO DEUTSCHLAND GmbH**  
 Germany | www.furuno.de

**FURUNO FRANCE S.A.S.**  
 France | www.furuno.fr  
**FURUNO ESPAÑA S.A.**  
 Spain | www.furuno.es  
**FURUNO ITALIA S.R.L.**  
 Italy | www.furuno.it  
**FURUNO HELLAS S.A.**  
 Greece | www.furuno.gr  
**FURUNO (CYPRUS) LTD**  
 Cyprus | www.furuno.com.cy

**FURUNO SHANGHAI CO., LTD.**  
 China | www.furuno.com/cn  
**FURUNO CHINA CO., LTD.**  
 Hong Kong | www.furuno.com/cn  
**FURUNO KOREA CO., LTD**  
 Korea  
**FURUNO SINGAPORE**  
 Singapore | www.furuno.sg

**PT FURUNO ELECTRIC INDONESIA**  
 Indonesia | www.furuno.id  
**FURUNO ELECTRIC (MALAYSIA) SND. BHD.**  
 Malaysia | www.furuno.my