

FURUNO



Global Xpress



Model:
FV-110GX

Advanced Ka-band Antenna Terminal designed for Inmarsat Global Xpress

- ▶ **Easy to install with just one cable between Above Deck Equipment (ADE) and Below Deck Equipment (BDE)**
- ▶ **Automatic Azimuth Calibration and Automatic Cable Calibration significantly reduce installation time**
- ▶ **Global customer support and technical services provide by FURUNO worldwide service network**
- ▶ **Reliable access to the full range of Inmarsat Fleet Xpress systems**
- ▶ **Antenna reflector size: 1.03 m**
- ▶ **Antenna weight: 126 kg**

Specifications

SYSTEM SPECIFICATIONS	
Frequency	Ka-Band (Inmarsat GX)
Reflector size	1.03 m
Frequency range	Tx 29.0-30.0 GHz
	Rx 19.2-20.2 GHz
System power supply range	100-240 VAC
Total system power consumption	410 W peak, 200 W typical
Vibration	IEC 60945 Ed. 4
Temperature (ambient)	Operational: -25°C to +55°C
	Storage: -40°C to +85°C
ACU to ADU cable	Single 50Ω coax for Rx, Tx and power

Above Deck Equipment (ADE)	
Antenna type, pedestal	3-axis stabilised tracking antenna with integrated GNSS
Antenna gain	Tx 47.5 dBi typ. @ 29.5 GHz (excl. radome)
	Rx 44.0 dBi typ. @ 19.7 GHz (excl. radome)
EIRP	≥53.5 dBW (incl. radome) MAX. 36.0 dBW/40 kHz
Polarization	Circular Cross-Pol
Elevation range	-25° to +125°
Satellite acquisition	Automatic - with or without Gyro/GNSS Compass input
Azimuth range	Unlimited (Rotary Joint)
Ship's motion, angular	Roll ±30°, Pitch ±15°, Yaw ±10°
Ship's turning rate and acceleration	15°/s, 15°/s ²
Relative humidity	100%, condensing
Waterproofing	IEC 60945 Exposed / IPX6
EMC	IEC 60945 Ed. 4
Wind speed	80 kn. operational 110 kn, survival
Compass safe distance	1 m/40" to IEC 60945

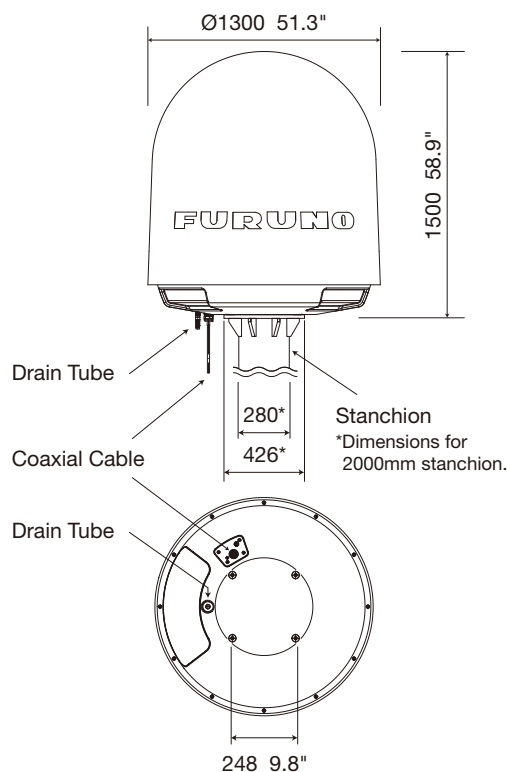
Antenna Control UNIT (ACU)	
Interfaces	Antenna Interface (50Ω, N-Connector) x 1, Modem Interface (75Ω, F-Connector) x 2 Ethernet x 4, NMEA0183 x 1, RS442 x 1, RS232 x 1 AC power Input x 1, Grounding bolt x 1
Input power	100-240 VAC , 370 W peak, 175 W typical
Modem interface (control)	Generic, OpenAMIP, Custom protocol
No transmit zones	Programmable, 8 zone with azimuth and elevation

Global Xpress Modem Unit (GMU)	
Modem type	iDirect/Inmarsat GX Core Module based
Interfaces	ACU Interface (75Ω, Tx/Rx) x 2, LAN connector x 1 RS-232 x 2, RS-422 x 1, AC power input, Grounding bolt x 1
Input power	100-240 VAC
Modem interface (control)	OpenAMIP, RS422 & RS232

BDE (ACU + GMU)	
Relative humidity	IEC 60945, 95%, non-condensing
Waterproofing	IP30
Compass safe distance	ACU: 0.3 m, GMU: 0.4 m

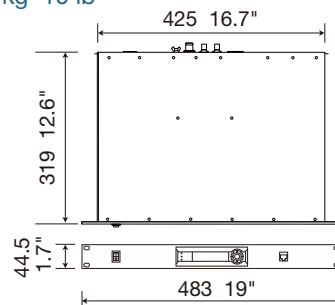
ADE

126 kg 279 lb



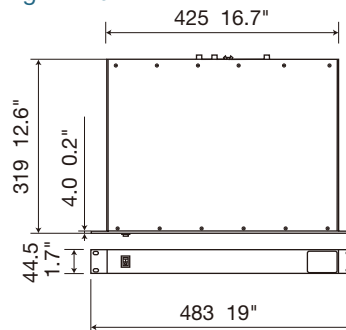
ACU

4.5 kg 10 lb



GMU

3.5 kg 7.7 lb



Beware of similar products

All brand and product names are registered trademarks, trademarks or service marks of their respective holders.

SPECIFICATIONS SUBJECT TO CHANGE WITHOUT NOTICE

FURUNO ELECTRIC CO., LTD.
Japan | www.furuno.com
FURUNO U.S.A., INC.
U.S.A. | www.furunousa.com
FURUNO PANAMA S.A.
Republic of Panama | www.furuno.com.pa
FURUNO (UK) LIMITED
U.K. | www.furuno.co.uk
FURUNO NORGE A/S
Norway | www.furuno.no

FURUNO DANMARK A/S
Denmark | www.furuno.dk
FURUNO SVERIGE AB
Sweden | www.furuno.se
FURUNO FINLAND OY
Finland | www.furuno.fi
FURUNO POLSKA Sp. z o.o.
Poland | www.furuno.pl
FURUNO DEUTSCHLAND GmbH
Germany | www.furuno.de

FURUNO FRANCE S.A.S.
France | www.furuno.fr
FURUNO ESPAÑA S.A.
Spain | www.furuno.es
FURUNO ITALIA S.R.L.
Italy | www.furuno.it
FURUNO HELLAS S.A.
Greece | www.furuno.gr
FURUNO (CYPRUS) LTD
Cyprus | www.furuno.com.cy

FURUNO EURUS LLC
Russian Federation | www.furuno.ru
FURUNO SHANGHAI CO., LTD.
China | www.furuno.com/cn
FURUNO CHINA CO., LTD.
Hong Kong | www.furuno.com/cn
FURUNO KOREA CO., LTD
Korea
FURUNO SINGAPORE
Singapore | www.furuno.sg

PT FURUNO ELECTRIC INDONESIA
Indonesia | www.furuno.id