

VDR

Voyage Data Recorder

S-VDR

Simplified Voyage Data Recorder



Records all crucial data to help identify the cause of marine accidents, as well as contribute to the prevention of future accidents

A Voyage Data Recorder (VDR) and Simplified Voyage Data Recorder (S-VDR) are similar to the black boxes carried on aircraft. The VDR/SVDR aids investigators in securing evidence by reviewing procedures and instructions in the moments before an accident. The VDR/SVDR collects data from all interfaced sensors on board the vessel, storing it in an external Data Recording Unit (DRU). The system comes with two tamperproof DRU units, one fixed and one float-free. They are designed to withstand the extreme impact, pressure, shock and heat, which may happen during an incident. When the DRU is retrieved, the stored data can be replayed by authorities to investigate the cause of the accident.



- ▶ Complies with the IMO performance standards for VDR and S-VDR
 - Complies with the IMO performance standards for VDR, MSC 333(90) and MSC 494(104)
 - Data storing for 48 hours both in fixed and float-free recording medium
 - Data storing for 30 days/720 hours in SSD in the Data Collecting Unit
 - No. 1, 2 Radar and main ECDIS display images can be stored
- * Up to 5 display images from FURUNO Radar FAR-3000/FCR-2xx9 series or FURUNO ECDIS FMD-3200/3300 can be stored simultaneously through Ethernet.
- * Radar and ECDIS images can be recorded at 15-second intervals.
- ▶ Easy to integrate with IBS Network
 - * Radar and ECDIS that utilizes LAN interface based on IEC 61162-450 can be connected through Ethernet.
- ▶ Video LAN converter can convert the Radar signal (DVI or RGB) into Ethernet
 - * Necessary when FURUNO Radar FAR-15x8/FAR- 22x8, 23x8, ECDIS FMD-3100, 3200/3300, 3005 or the products of third-party manufacturers are connected to VR-7000/7000S.

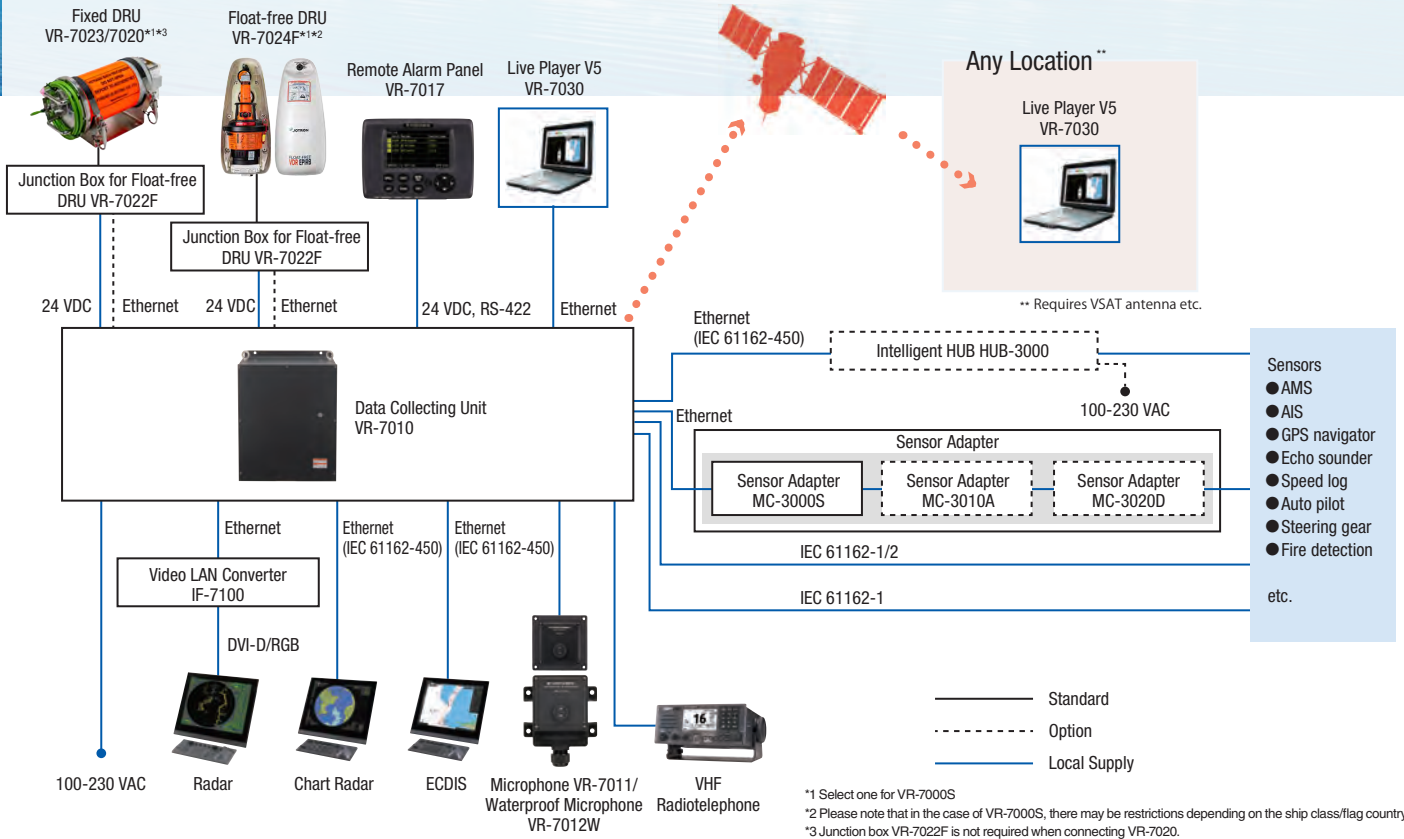
- ▶ Optional sensor adapter gathers all the serial/analog/digital sensor data and collectively feeds it to DCU
 - Multiple sensor adapters can be interfaced depending upon the number of sensors to be interfaced.
- ▶ "Live Player V5" allows monitoring and playback of collected data on a PC. In addition, remote replay and remote extraction via satellite connection available.
- ▶ Extracted data can be saved onto a USB flash memory
- ▶ Global customer support and services with FURUNO worldwide service network

■ Simplified Voyage Data Recorder VR-7000S

- Complies with the IMO performance standards for S-VDR, MSC 163(78)
- Applied to S-VDR carriage requirement for existing cargo ships over 3,000GT
- Selectable DRU: fixed DRU or float-free DRU
- Save function
 - If marine incidents occur, record the data, which are recorded to the capsule, to the safe storage area for a long term recording by this function.

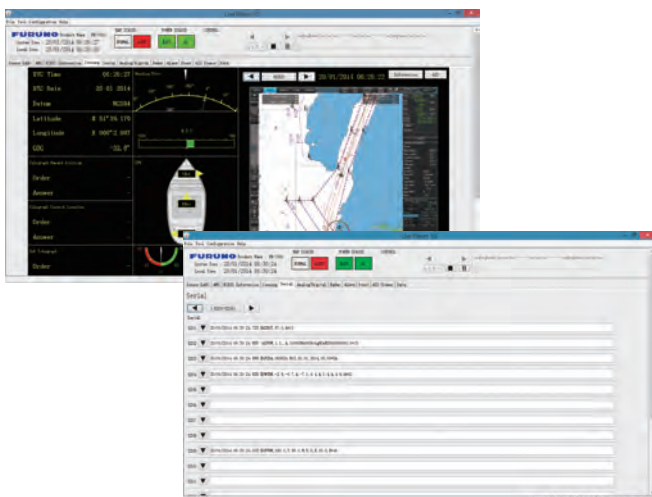
Easy to input the sensor data and review stored data

The onboard sensors can be integrated and interfaced to the VR-7000/7000S thanks to Video LAN converter and sensor adapters. Also, the collected data can be replayed with the PC software or extracted onto a USB flash memory for later analysis.



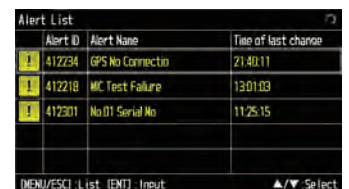
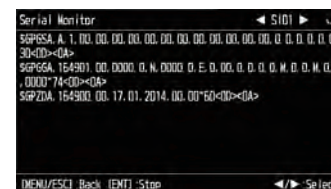
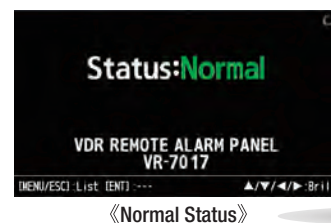
Live Player V5

This software extracts and displays the data recorded in the Data Recording Unit, in real time, on the networked PC screen. In addition, The data can be extracted and displayed remotely on the PC screen anywhere via satellite connection. Also, the data can be replayed for a more thorough data analysis at a later date.



Remote Alarm Panel

At-a-glance recognition of VDR status with minimal operation.



SPECIFICATIONS

Product Name		VOYAGE DATA RECORDER / SIMPLIFIED VOYAGE DATA RECORDER	
Data Collecting Unit (DCU)	Recording Period	720 hours	
Unit (DCU)	Interface	Ethernet (IEC 61162-450)	7 ports (1 port for PC)
	Serial (IEC 61162-1/2) Input	2 ports (when interfaced with the MC-3000S, 4 additional ports can be added)	
	Serial (IEC 61162-1) Input	6 ports (when interfaced with the MC-3000S, 4 additional ports can be added)	
	Digital Input	Option (when interfaced with the MC-3020D, 8 ports can be added)	
	Analog Input	Option (when interfaced with the MC-3010A, 3 ports can be added)	
	Bridge audio	8 ports	
	VHF audio	2 ports	
	Remote Alarm Panel	1 ports	
	24 VDC for Fixed DRU	1 ports	
	24 VDC for Float-free DRU	1 ports	
	24 VDC for Sensor Adapter	1 ports	
	CAM (AMS) (Serial IEC 61162-1 Input/Output)	1 ports	
	CAM (AMS) (Contact)	Input: 2 ports	
Output: 3 ports			
USB	1 port (for USB flash memory to extract the data only)		
Fixed Data Recording Unit (Fixed DRU)*	Memory	32 GB	
	Recording Period	48 hours	
Float-free Data Recording Unit (Float-free DRU)*	Memory	80 GB	
	Recording Period	48 hours	
Remote Alarm Panel	Display	4.3" color LCD	
Video LAN Converter	Interface	DVI-D/RGB: 2 ports Ethernet: 1 port	
Sensor Adapter (Serial)	MC-3000S	IEC 61162-1/2: 4 ports IEC 61162-1: 4 ports	
	MC-3010A (option)	Analog Input: 3 ports	
Sensor Adapter (Analog)	MC-3010A (option)	Analog Input: 3 ports	
Sensor Adapter (Digital)	MC-3020D (option)	Digital Input: 8 ports	
Intelligent Hub	HUB-3000	Ethernet: 8 ports	

* Select one for VR-7000S

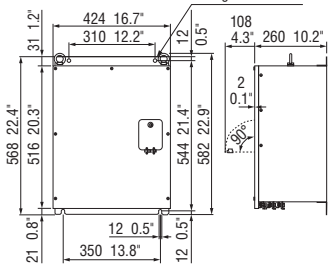
POWER SUPPLY

DCU	100-230 VAC: 1.6-0.7 A, 1 phase, 50-60 Hz
Sensor Adapter	24 VDC: 1.4 A max (11units), ed from DCU
Video LAN Converter	24 VDC: 0.7 A

Data Collecting Unit

VR-7010

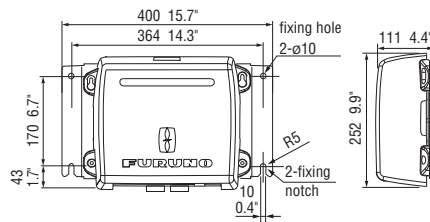
29 kg 63.9 lb



Video LAN Converter

IF-7100

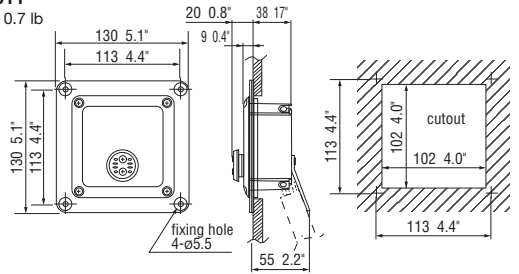
3.2 kg 7.1 lb



Microphone

VR-7011

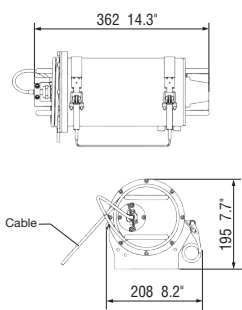
0.3 kg 0.7 lb



Fixed Data Recording Unit

VR-7023

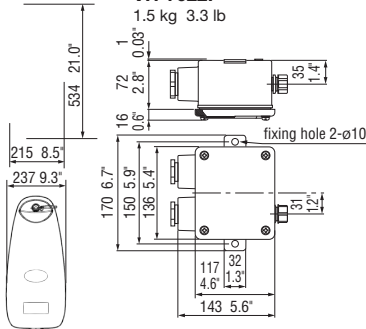
8.0 kg 17.6 lb



Float-free Data Recording Unit for Float-free Data Recording Unit

VR-7024F

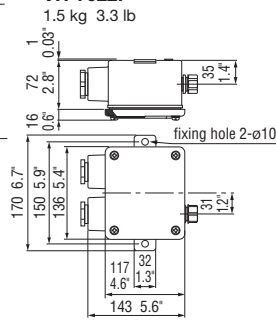
5.4 kg 11.9 lb



Junction Box for Float-free Data Recording Unit

VR-7022F

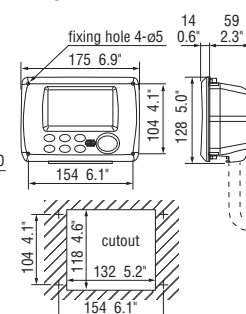
1.5 kg 3.3 lb



Remote Alarm Panel

VR-7017

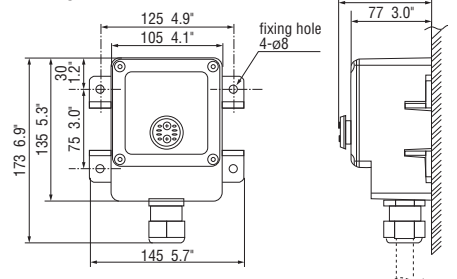
0.64 kg 1.4 lb



Waterproof Microphone

VR-7012W

0.6 kg 1.3 lb



Beware of similar products

All brand and product names are registered trademarks, trademarks or service marks of their respective holders.

SPECIFICATIONS SUBJECT TO CHANGE WITHOUT NOTICE

FURUNO ELECTRIC CO., LTD.
Japan | www.furuno.com

FURUNO U.S.A., INC.
U.S.A. | www.furunousa.com

FURUNO PANAMA S.A.
Republic of Panama | www.furuno.com.pa

FURUNO (UK) LIMITED
U.K. | www.furuno.co.uk

FURUNO NORGE A/S
Norway | www.furuno.no

FURUNO DANMARK A/S
Denmark | www.furuno.dk

FURUNO SVERIGE AB
Sweden | www.furuno.se

FURUNO FINLAND OY
Finland | www.furuno.fi

FURUNO POLSKA Sp. z o.o.
Poland | www.furuno.pl

FURUNO DEUTSCHLAND GmbH
Germany | www.furuno.de

FURUNO FRANCE S.A.S.
France | www.furuno.fr

FURUNO ESPAÑA S.A.
Spain | www.furuno.es

FURUNO ITALIA S.R.L.
Italy | www.furuno.it

FURUNO HELLAS S.A.
Greece | www.furuno.gr

FURUNO (CYPRUS) LTD
Cyprus | www.furuno.com.cy

FURUNO SHANGHAI CO., LTD.
China | www.furuno.com/cn

FURUNO CHINA CO., LTD.
Hong Kong | www.furuno.com/cn

FURUNO KOREA CO., LTD
Korea

FURUNO SINGAPORE
Singapore | www.furuno.sg

PT FURUNO ELECTRIC INDONESIA
Indonesia | www.furuno.id

FURUNO ELECTRIC (MALAYSIA) SND. BHD.

Malaysia | www.furuno.my

K-2406LB

Catalogue No. CA000002385