

## 5.7" GPS/WAAS CHART PLOTTER

Model GP-1670

Model GP-1670F



5.7" GPS/WAAS COLOR  
CHART PLOTTER with FISH FINDER  
GP-1670F



**C-MAP** C-MAP 4D  
Digital Charts that grow with your boating needs.

### GP-1670/1670F features

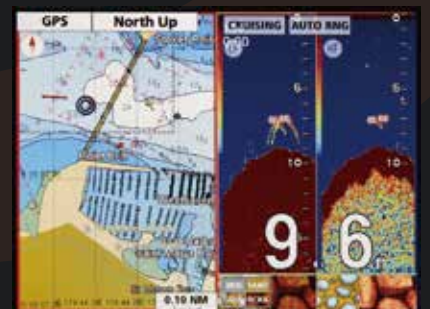
- Bright 800 cd/m<sup>2</sup> LCD gives excellent readability even in direct sunlight
- The LCD and AR glass are bonded together to ensure no fogging issues
- Clear visibility even when wearing polarized sunglasses
- Internal GPS antenna for simple and easy installation
- Standard C-Map 4D chart available on SD card
- RotoKey™ revolving menu and familiar point-and-click operation
- Internal memory: Waypoint/Track 30,000 points, Route 1,000 routes

### GP-1670F features

- Equipped with FURUNO's latest digital fish finder technology
  - Bottom Discrimination Function\* \* Thru-hull transom transducer mount required.
  - ACCU-FISH™ — A unique fish size analyzer
- Post-processing Gain Control applied to all echoes displayed on the screen
- White Line function — Discriminates fish lying near the bottom



Dual range chart display



Plotter + Fish Finder\* (with ACCU-FISH and Bottom Discrimination function ON) \*GP-1670F only

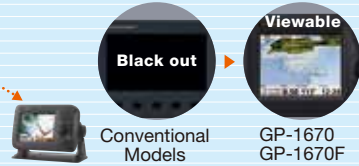
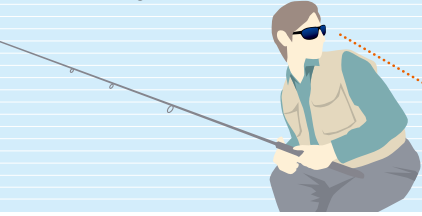
## ● RotoKey™

The RotoKey™ has a two-fold function. Rotate the knob for a finely stepped zoom control. Push the knob to get full access to GP-1670/1670F controls.



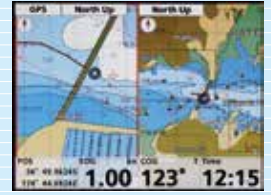
## ● Polarized Friendly - Clearly Remarkable

The GP-1670 series has an LCD screen that does not "black out" when wearing polarized sunglasses, providing clear visibility from virtually any angle.



## ● Dual Range Chart Display

In "Dual Range Chart Display" mode, the GP-1670 series displays dual charts, both long and short range, at the same time.



## ● Bonded LCD - Clear Readability

Our bonded LCDs offer a fog-free structural design. This ensures that the display will never be affected by water condensation, caused by an air gap between the LCD and the front cover plate.

## ● Easy Replacement from legacy models

Optional bezel kit is available allowing for easy replacement from Furuno GP-1650, GP-1850 and GP-7000 series.



### ■ Display Unit

Screen Type	Color TFT LCD
Screen Size	5.7"
Screen Resolution	640 x 480 pixels (VGA)
Screen Brightness	800 cd/m <sup>2</sup> (typical)
Language	English (US & UK), French, Spanish, German, Italian, Portuguese, Danish, Swedish, Norwegian, Finnish, Greek, Japanese, Chinese, Russian, Thai, Vietnamese, Polish, Bahasa Malaysia, Bahasa Indonesia
Display Modes	Course plot, Nav Data, Instruments*, Engine monitor*, Anemometer*, Fuel level gauge*, GPS status, Fish finder** *External sensors required **GP-1670F only
Memory Capacity	30,000 points for ship's track and waypoints 1,000 planned routes (Max. 50 points per route) 5,000 quickpoints
Interface	CAN bus: 1 port Mini USB*: 1 port (2.0) *for maintenance only SD card slot: 1 slot (up to 32 GB)
Chart	C-MAP 4D
Other Functions	AIS target display* *AIS sensor required
Temperature	-15°C to +55°C
Waterproofing	IP56
Power Supply	12-24 VDC
Consumption Current	GP-1670: 0.5 - 0.3 A GP-1670F: 0.9 - 0.5 A (When 600 W transducer used)

### ■ GPS / SBAS (WAAS/EGNOS/MSAS)

Receive Type	GPS: 50 channels SBAS: 1 channel
Receiving Frequency	L1 (1575.42 MHz)
Accuracy	Internal antenna : GPS 10 m Max / SBAS 7.5 m Max External antenna*: GPS 10 m Max / MSAS 7 m Max *GPA-017 (Option)
Time to First FIX	90 s (cold start)
Tracking Velocity	999 kn

### ■ Fish Finder (for GP-1670F only)

Transmit Frequency	50/200 kHz
Transmission	600 W or 1 kW* *Matching box MB-1100 required for certain transducers
Display Range	5 - 1,200 m, shift: 0 - 1,200 m
Extension Mode	ACCU-FISH*, Auto (Fishing/Cruising/Manual), A-Scope, Marker Zoom, Bottom Zoom, Bottom Lock, Bottom Discrimination*

Picture Advance 7 steps: 2/1, 1/1, 1/2, 1/4, 1/8, 1/16, stop

\*In some instances, bottom component or fish size indicated on the GP-1670F may differ from its actual size or structure. Please carefully read the operation manual prior to using this feature.

### ■ Equipment List

Display unit GP-1670/1670F, Installation materials and standard spare parts

### ■ Options

- GPS antenna GPA-017/017S • Antenna cable assembly • NMEA2000 heavy cable assembly • Mast mounting kit • Junction box • In-line Terminator • NMEA2000 interface unit • NMEA data converter • Waterproof cap • Termination Resistor • NMEA2000 light cable assembly • Cable assembly • Mini/micro T-connector • L-angle mounting base • Handrail mounting base • Rectifier • T-connector
- Inner hull mounting kit\* • Matching box\* • Speed/Temperature sensor\*
- Temperature sensor\* \*for GP-1670F only

### ■ Transducer Options (for GP-1670F only)

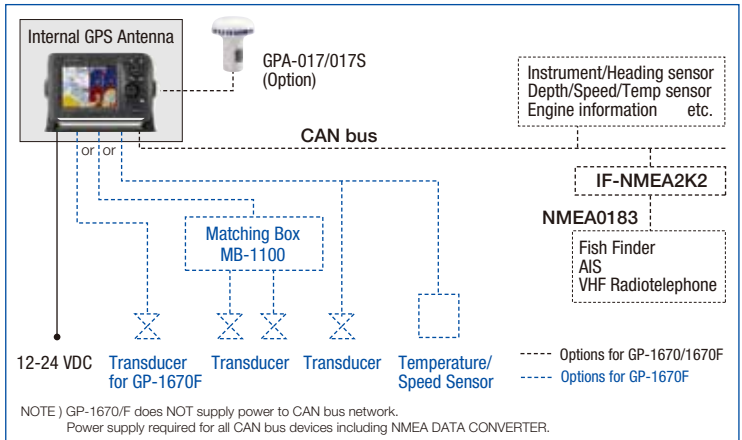
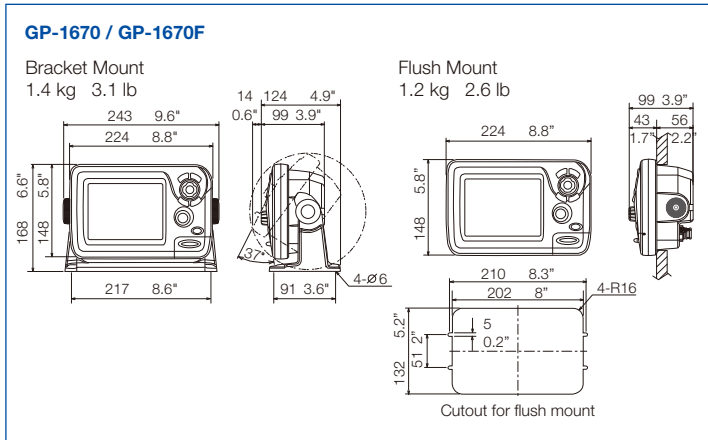
600 W	1 kW*	*Matching box MB-1100 required for certain transducers
• 520-5MSD (Bronze)	• 50/200-1T	• 50B-6B
• 520-5PSD (Plastic)	• 50B-6	• 200B-5S
• 525-5PWD (Plastic)		

### NMEA DATA CONVERTER < IF-NMEA2K2 >

Furuno's NMEA DATA CONVERTER is a compact interface unit, that converts NMEA 0183 data into CAN bus/NMEA2000 data and vice-versa. Control data such as Heading and Rate-of Turn can be translated in high speed conversion rate.



IF-NMEA2K2



Beware of similar products

All brand and product names are registered trademarks, trademarks or service marks of their respective holders.

SPECIFICATIONS SUBJECT TO CHANGE WITHOUT NOTICE  
PLEASE READ MANUAL BEFORE USING THE UNIT

**FURUNO ELECTRIC CO., LTD.**  
Nishinomiya, Hyogo, Japan  
www.furuno.com

**FURUNO U.S.A., INC.**  
Camas, Washington, U.S.A.  
www.furunousa.com

**FURUNO (UK) LIMITED**  
Havant, Hampshire, U.K.  
www.furuno.co.uk

**FURUNO FRANCE S.A.S.**  
Bordeaux-Mérignac, France  
www.furuno.fr

**FURUNO ITALIA S.R.L.**  
Gatteo Mare, Italy  
www.furuno.it

**FURUNO ESPAÑA S.A.**  
Madrid, Spain  
www.furuno.es

**FURUNO DANMARK A/S**  
Hvidovre, Denmark  
www.furuno.dk

**FURUNO NORGE A/S**  
Ålesund, Norway  
www.furuno.no

**FURUNO SVERIGE AB**  
Västra Frölunda, Sweden  
www.furuno.se

**FURUNO FINLAND OY**  
Espoo, Finland  
www.furuno.fi

**FURUNO POLSKA Sp. z o.o.**  
Gdynia, Poland  
www.furuno.pl

**FURUNO EURUS LLC**  
St. Petersburg, Russian Federation  
www.furuno.com.ru

**FURUNO SINGAPORE PTE LTD**  
Singapore  
www.rico.com.sg

**FURUNO DEUTSCHLAND GmbH**  
Rellingen, Germany  
www.furuno.de

**FURUNO HELLAS S.A.**  
Piraeus, Greece  
www.furuno.gr

**FURUNO (CYPRUS) LTD**  
Limassol, Cyprus  
www.furuno.com.cy

**FURUNO CHINA CO., LTD.**  
Hong Kong

**FURUNO SHANGHAI CO., LTD.**  
Shanghai, China  
www.furuno.com/cn