

# FURUNO

## FLEX Function Display

Model

# SFD-1010/1012



10" and 12" Display Units



[www.furuno.com](http://www.furuno.com)

# Highly Flexible Displays

Discover the SFD-1010/1012, 10" and 12" display and control units compatible with a wide range of Furuno sensors from DRS4DL X-Class Radar to DFF-3D Multibeam Sonar or Fish Finders. These are versatile and highly adaptable Display units that, combined with a hub and your favorite sensors, allow multiple configurations to suit all needs, from recreational boating to workboats.



10" Display Unit, SFD-1010



12" Display Unit, SFD-1012

\*Adjustable bracket to fit your preferred display orientation.

FLEX Function Display

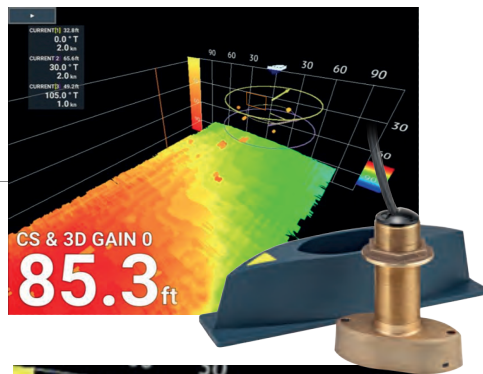
Model **SFD-1010/1012**



Designed to work with our most popular sensors

## Multibeam Sonar

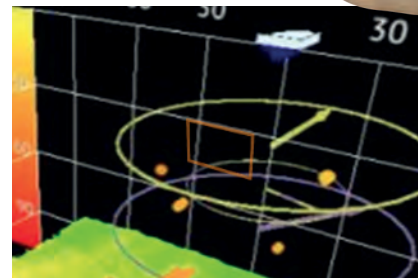
Connect our popular **DFF-3D** Multibeam Sonar which display echoes in high-resolution and gives you access to several useful modes such as Cross Section, 3D history, Triple Beam, or Side-Scan.



## DFF-3D/SFD features sea current overlay & virtual net mark

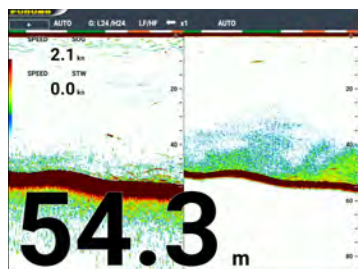
Thanks to a virtual fishing net, you will be able to determine the position of the net's mouth in relation to the targeted school of fish and thus increase the efficiency of your catch. In addition, you can overlay sea current information on the picture.

\*To display current information, Furuno's CI series must be connected.



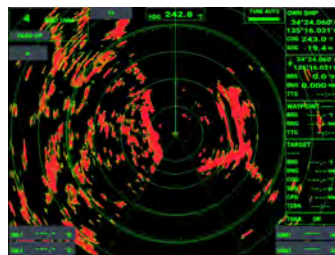
## Fish Finder

Connect our powerful Fish Finder **DFF3-UHD** and enjoy our best fishing technologies such as TruEcho CHIRP™ and ACCU-FISH™ for maximum clarity.



## Radar

Connect our Plug-and-play Radar to ensure your safety at sea with the compact Radome 19" **DRS4DL X-Class\*** which features Fast Target Tracking™ and requires only one LAN cable and one Power Supply cable for its installation.



\*The DRS4DL X-CLASS does not comply with RED, UKCA or ISED regulations.

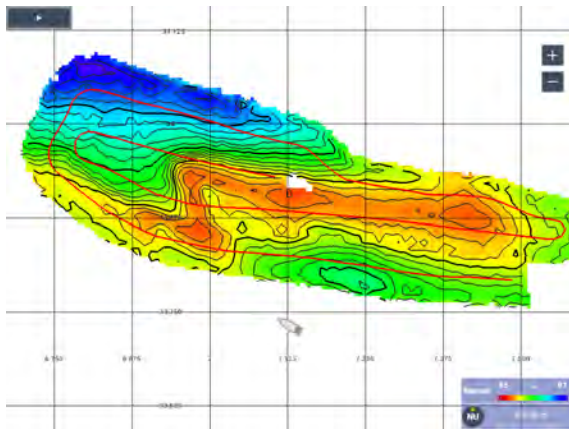


### Bathymetric shaded relief maps

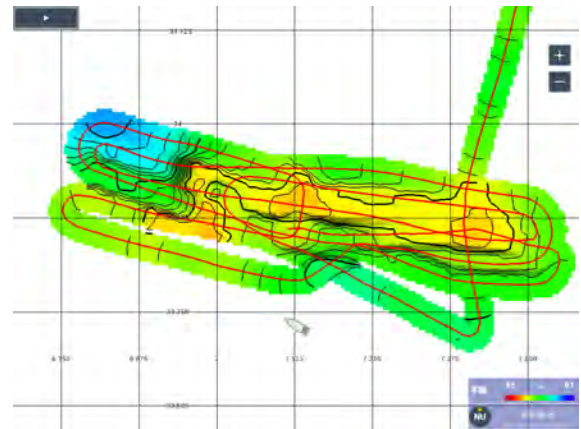
Quickly create your own PBG (Personal Bathymetric Generator) Shaded Relief Maps using SFD and the **DFF-3D** or Fish Finders. Bottom images are drawn with shaded relief, depth contours, and variable colors, making it easy to identify hidden structure and ridges that hold fish in a simple, easy-to-interpret presentation.

PBG compatible Furuno's Fish Finder

	Model	Interface
FCV Series	FCV-38, FCV-2100, FCV-1900/B/G, FCV-295/1150, FCV-585/620, FCV-588/627, FCV-688	NMEA0183
	FCV-600/800	NMEA0183/2000
Chart plotter with F/F	GP-3700F, GP-1871F/1971F	NMEA0183/2000
DFF Series	DFF3-UHD, DFF1-UHD, DFF3, BBDS1	Ethernet
NavNet TZtouch Series	TZtouchXL, TZtouch3, TZT2BB	Ethernet



PBG created with Multibeam Sonar



PBG created with Fish Finder (Single beam)

\*The above diagram shows almost the same area mapped with each beam. The red line is your ship's wake. A single beam only provides information directly below your ship, whereas a multibeam detects a 120° width to the left and right, making multibeam more efficient at creating seabed maps. When using the seabed mapping function with a single beam, it is not possible to display fish finder echoes.

\*Recommend connecting a satellite compass as it reduces the effects of wave swaying.

\*Chart overlay is not possible.

### Sub-monitor function with NavNet TZtouch Series

By connecting to the same network as the NavNet TZtouch series, it is possible to display and operate sensor information within the network. The NavNet TZtouch series displays a variety of navigation information, and the SFD allows you to check and operate Fish Finder/Radar/Multibeam Sonar information on a large screen, making it convenient.



## Specifications

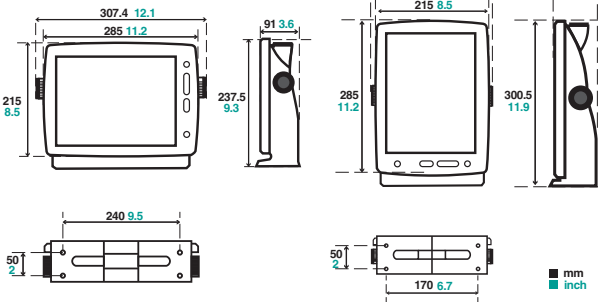
	SFD-1010	SFD-1012
<b>Display Function</b>		
Screen	10.4" TFT color LCD 1024×768 (XGA)	12.1" TFT color LCD 1024×768 (XGA)
Brilliance	800 cd/m <sup>2</sup> or more	
View angle	Up/Down/Left/Right 80° or more	
Indication data		
Navigations	Course, Own ship's position (L/L), COG/SOG, Heading, Waypoint	
Weather Information	Barom. Press, Depth, Water Temperature, Current, Wind	
Language	English, Japanese, French, Spanish, Greek, Korean, Chinese	
<b>Radar Function</b>		
Orientation mode	Head-up, North-up, Course-up	
Echo trail	15/30 sec, 1/3/6/15/30 min or continuous	
Target Tracking™	0~50	
<b>Fish Finder Function</b>		
Color indication	Depends on the external Fish Finder in use	
Display mode	Single Frequency, Dual Frequency, Zoom, A-Scope	
Expansion mode	Bottom-lock expansion, Bottom zoom, Marker zoom	

	SFD-1010	SFD-1012
<b>Multibeam sonar Function</b>		
Display mode	Multi beam sounder, Side-scan, Sonar, 3D history Personal Bathymetric Generator	
Depth range	1200 m max. (4000 ft, 650 fm, 800 HR, 750 pb)	
Adjustment	Display, Brilliance, Diagnosis	
<b>Interface</b>		
Number of ports		
-Serial	2 ports, NMEA0183	
-LAN	1 port, Ethernet 100Base-TX, RJ45	
-USB	1 port, USB2.0 (Type A), For maintenance	
-NMEA2000	1 port	
-HDMI output	1 port, 1280×720 (HD)	
<b>Power Supply</b>		
Display Unit	12-24 VDC : 3.0-1.5A	
<b>Environmental conditions</b>		
Temperature	-15°C~+55°C	
Humidity	93%	
Protection	IP25	
Vibration	IEC60945 Ed.4	
<b>Equipment List</b>		
Standard	Display Unit, Installation materials and Spare parts	
Options	Trackball control Unit, External alarm buzzer, NMEA data converter, Junction box, Cable assembly, Connector, Joint box, Rectifier, Ferrite core, Ethernet hub, Flush mount kit	

### Drawings

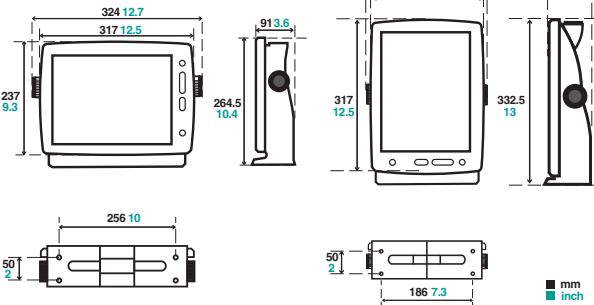
#### SFD-1010

Tabletop Mount  
2.4 kg, 5.3 lb



#### SFD-1012

Tabletop Mount  
2.6 kg, 5.7 lb



Beware of similar products

All brand and product names are registered trademarks, trademarks or service marks of their respective holders.

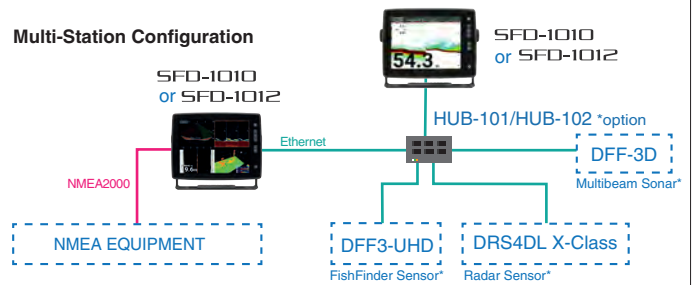
SPECIFICATIONS SUBJECT TO CHANGE WITHOUT NOTICE

### Interconnection Diagram

#### Stand-Alone Configuration



#### Multi-Station Configuration



Up to 2 sensors can be connected to a SFD unit at a time.

